

Paper width from  
60 to 82.5mm

Very fast:  
up to 220mm/sec



Paper  
pre-tensioner system

Paper mouth  
with lighth

Ejecting and retracting  
function

# VKP80

VKP80 is the last generations of ATMs, Kiosks and Ticket Printers with high printing speed, 220mm/sec and a very small footprint.

Paper width 60/80/82.5mm, adjustable by the user.

Paper thickness 60/100 gr/m2.

Printer can drag up to 180mm paper roll diameter.

Holder for 135mm paper roll diameter is available.

Possibility to place the roll support in any positions.

High reliability autocutter.

"Ejecting" and "retracting" ticket functions.

Paper outlet mouth lighting during ticket presentation.

Paper pre-tensioner system for high capability paper roll.

Serial RS232 + USB interface.

Models with Centronics parallel interface is also available.

Sensors: paper end, black mark, ticket availability, opening of printing unit and near paper end on roll support.

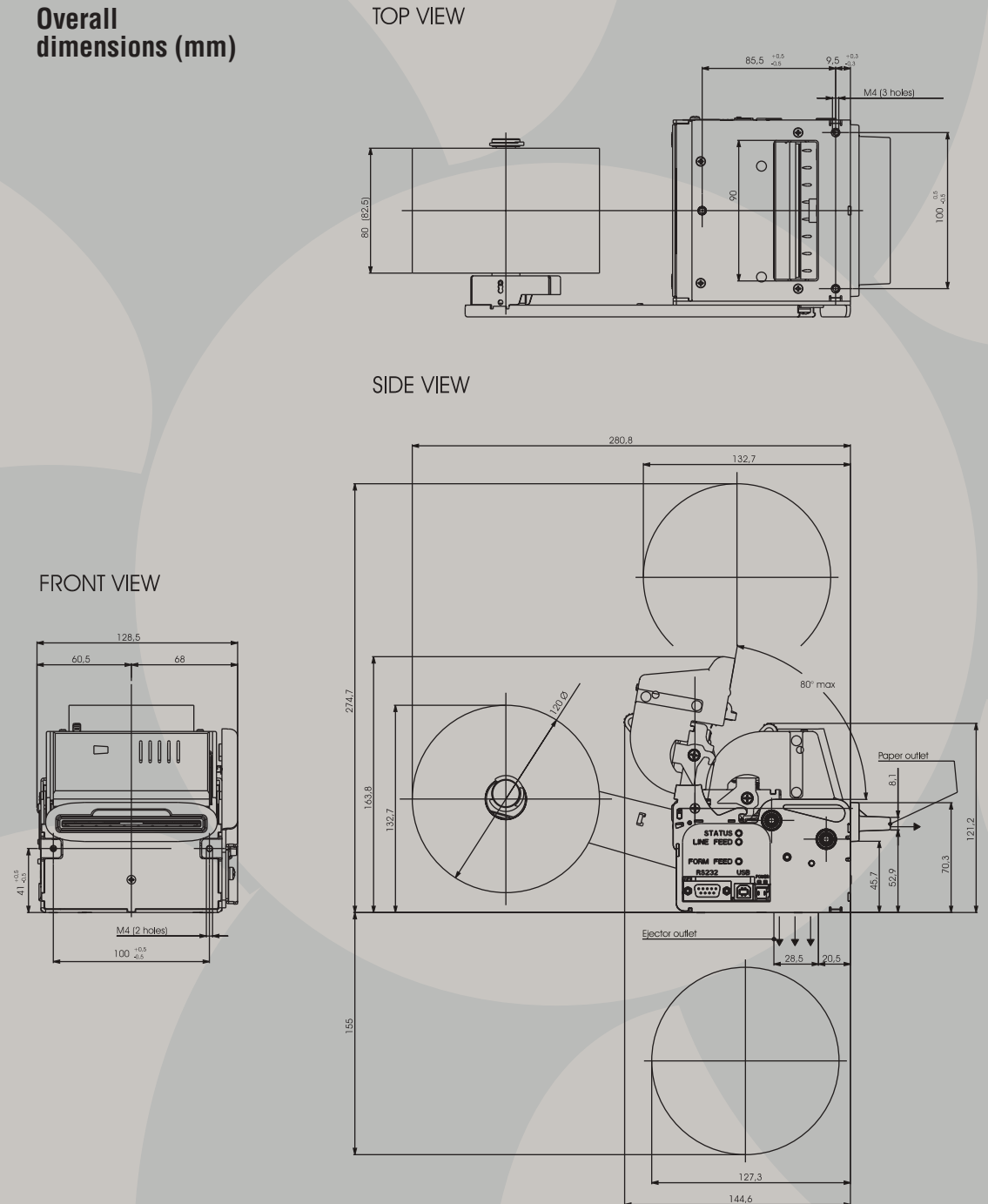


## Status Monitor

additional printing driver component that gives remote visibility of paper and printer status, jams, near-end of paper and end of paper status and information on the number of tickets or prints. The software can even be set to send email alerts or SMS, making easier remote maintenance operations.



## Overall dimensions (mm)





## VKP80

<b>Printing method</b>	Thermal, 8 dots/mm fixed head
<b>Resolution</b>	203 dpi
<b>Printing speed (mm/sec)</b>	High Quality 100, Normal 180, High Speed 220
<b>Paper width</b>	60/80/82.5 mm
<b>Roll dimension</b>	max 180mm ± 5mm (external roll support)
<b>Print direction</b>	Straight, 90°, 180°, 270°
<b>Print format</b>	Normal, 1x to 8x height and width, reverse, underscored, italic, bold
<b>Character sets</b>	PC437, PC850, PC860, PC863, PC865, PC858
<b>Interfaces</b>	RS232 + USB
<b>Baud rate</b>	1200 bps to 115.000 bps
<b>Data buffer</b>	16 Kbyte
<b>Flash memory</b>	384 Kbyte
<b>Graphics memory</b>	2 logos of 608 x 862 dots (for 80/82.5mm paper width)
<b>Drivers</b>	Win 95, 98, me, 2k, XP, NT; Linux
<b>Software options</b>	Font Editor; Logo Editor; Status Monitor
<b>Hardware options</b>	Centronics
<b>Power supply</b>	24 Vdc±10%
<b>Power consumption</b>	4A
<b>MTBF</b>	250.000 hours



# CUSTOM<sup>®</sup>

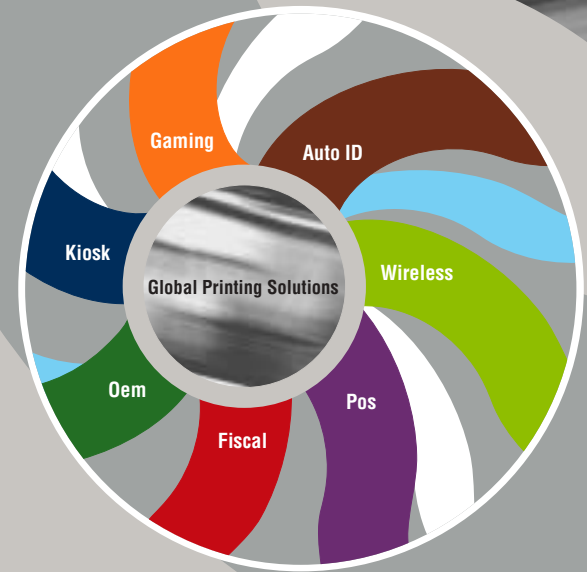
CUSTOM ENGINEERING SPA

Via Berettine, 2 - 43010 Fontevivo, Parma ITALY  
Tel. +39 0521 680111 - Fax +39 0521 610701  
info@custom.biz - www.custom.biz



M. U. R. S. T.  
Ministry University  
Research Scientific  
Technology  
Authorized laboratory  
n. 50846ZYZ

## Kiosk Solutions



**CUSTOM ENGINEERING MILAN**  
Via Pavia, 10 - 20053 Muggiò, Milano ITALY  
Tel. +39 039 2144280 - Fax +39 039 2144249  
custom.milano@custom.it

**CUSTOM ENGINEERING MODENA**  
V.le Virgilio, 56D - 41010 Modena ITALY  
Tel. +39 059 8869511 - Fax +39 059 8869512  
custom.modena@custom.it

**CUSTOM ENGINEERING UK LTD**  
31 Scott Road, Sundon Park  
Luton LU3 3BF UK  
Tel +44 (0) 1582 582258 - Fax +44 (0) 1582 564888  
uk.sales@custom.it

**CUSTOM ENGINEERING IBERIAN**  
Calle Azagador de Alboraya, 14 P.ta 16  
46020 Valencia SPAIN  
Tel. +34 96 3627315 - Fax +34 96 3627315  
es.ventas@custom.it

**CUSTOM ENGINEERING USA**  
3104 N. Arlington Heights Rd.  
Arlington Heights, IL 60004  
Tel. +1 (847) 818-1260 - Fax +1 (847) 818-1287  
us.sales@custom.it