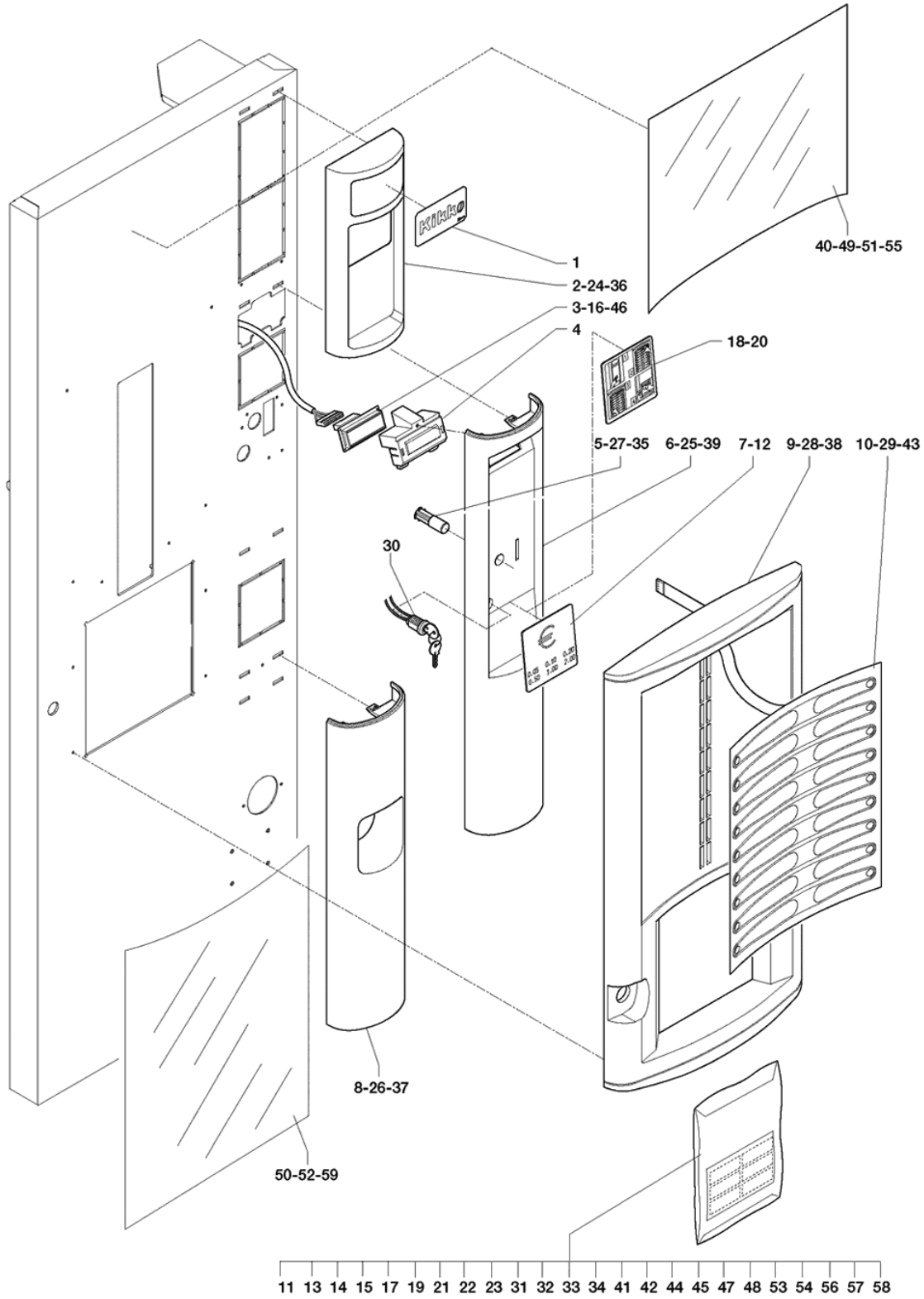


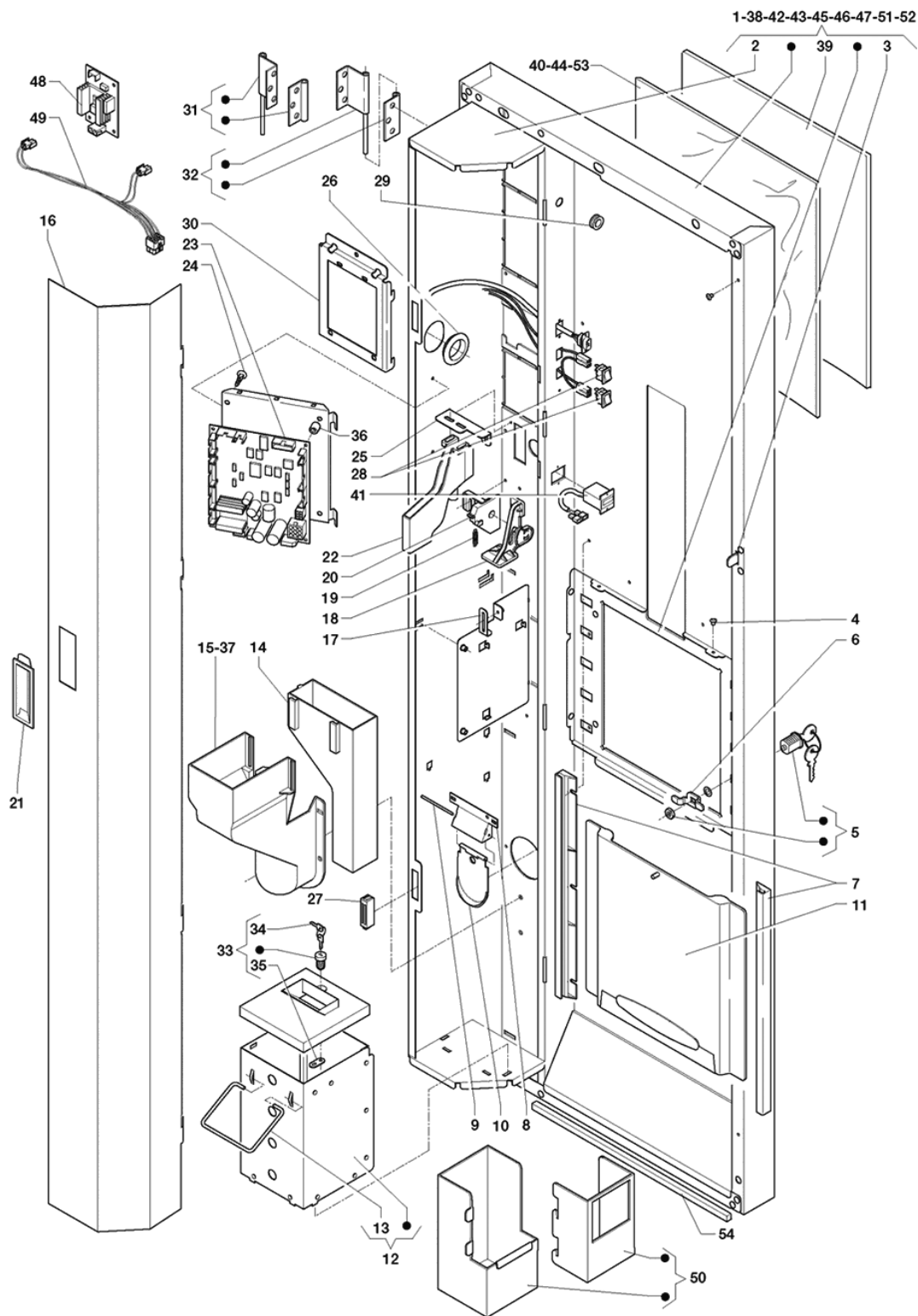
KIKKO - ESPRESSO - INSTANT - 220 VOLT - 50 HZ





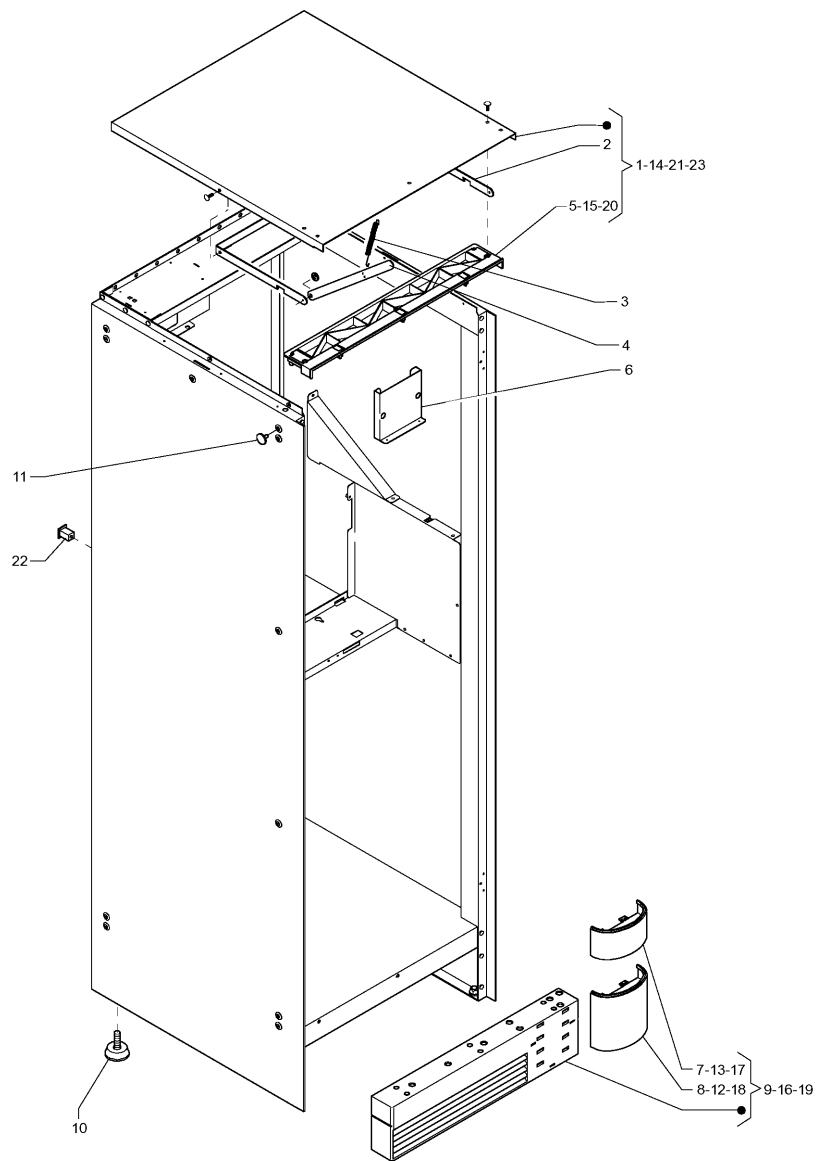
	Code	Description	Notes
1	0V3660	LOGO PLATE	
2	0V3453	READER MOLDING	
3	251653	DISPLAY 2X16 BLUE	
4	0V3457	DISPLAY GLASS	
5	0V3465	MONEY RETURN BUTTON	
6	0V3456	CONTROLS FRAME	
7	0V3661	PRICE PLATE	
8	0V3461	MONEY RETURN MOLDING	
9	0V3713	SELECTION PANEL	
10	0V3670	PUSH-BUTTON PANEL	
11	0V3367	PRICE PLATE - EURO 0.01-	
12	250807	EURO PRICE PLATE - BLACK -	
13	0V3662	PRODUCT LABEL -ITALY /FRENCH-	
14	0V3833	PRODUCT PLATE E/P/BR/MEX	
15	0V3887	PRODUCT LABELS - FRANCE	
16	251654	DISPLAY 2X16 BLUE-CIRILLICO-	
17	0V4177	PRICE LABELS 'POLAND'	
18	0V4179	INSTRUCTION PLATE NEUTRAL	
19	251582	PRODUCT LABELS 'NESTLE" FRANCE N°1	
20	0V4267	BLACK NEUTRAL PLATE	
21	0V4268	PRODUCT LABEL -UK-	
22	099253	PRICE LABELS 'UK' N°1	
23	099242	PRICE-LABEL 'UK' N°2	
24	0V4257	BLACK READER MOLDING	
25	0V4258	BLACK CONTROLS FRAME	
26	0V4259	BLACK MONEY RETURN MOLDING	
27	0V4264	BLACK MONEY RETURN BUTTON	
28	0V4256	BLACK SELECTION PANEL	
29	0V4270	BLACK PUSH-BUTTON PANEL	
30	099743	FREE VEND SWITCH	
31	250001	PRODUCT LABELS - D/CZ -	
32	0V4178	PRODUCT LABELS (CZECH R.)	
33	250338	1 PRODUCT PLATE (BRASIL)	
34	250339	2PRODUCT PLATE (BRASIL)	
35	250750	BLUE MONEY RETURN BUTTON	
36	250751	BLUE READER MOLDING	
37	250753	BLUE MONEY RETURN MOLDING	
38	250758	BLUE SELECTION PANEL	
39	250752	BLUE CONTROLS FRAME	
40	250760	LIOMATIC ADHESIVE -KIKKO-	
41	250811	NESTLE' (I) PRODUCT LABELS	
42	251227	PRODUCT LABEL -NL/B -	
43	250452	NESCAFE' PUSH-BUTTON PLATE	
44	251004	PRODUCT LABELS 'NESTLE" -UK/F	
45	251583	PRODUCT LABELS 'NESTLE" FRANCE N°2	
46	250872	LCD DISPLAY -GREECE	

	Code	Description	Notes
47	250871	PRODUCTS PLATE - GREECE -	
48	251243	PRODUCTS PLATE - GNAIGER -	
49	251239	UPPER PHOTOGRAPHIC PANEL -GNAIGER-	
50	251240	LOWER PHOTOGRAPHIC PANEL -GNAIGER-	
51	251580	UPPER ADHESIVE NESCAFE'	
52	251581	LOWER ADHESIVE NESCAFE'	
53	251670	PRODUCT LABELS RUS/UK 1	
54	251671	PRODUCT LABELS RUS/UK 2	
55	252122	LOGOTYPE ADHESIVE -GESA-	
56	250322	NESTLE' (I) PRODUCT LABELS	
57	251129	PRODUCT LABELS 'NESTLE" -F-	
58	251743	ISRAEL PRODUCT LABEL	
58	252370	PRODUCTS LABELS-HUNGARY-	
59	252173	LOWER ADHESIVE-BLONDE DALLMAYR	

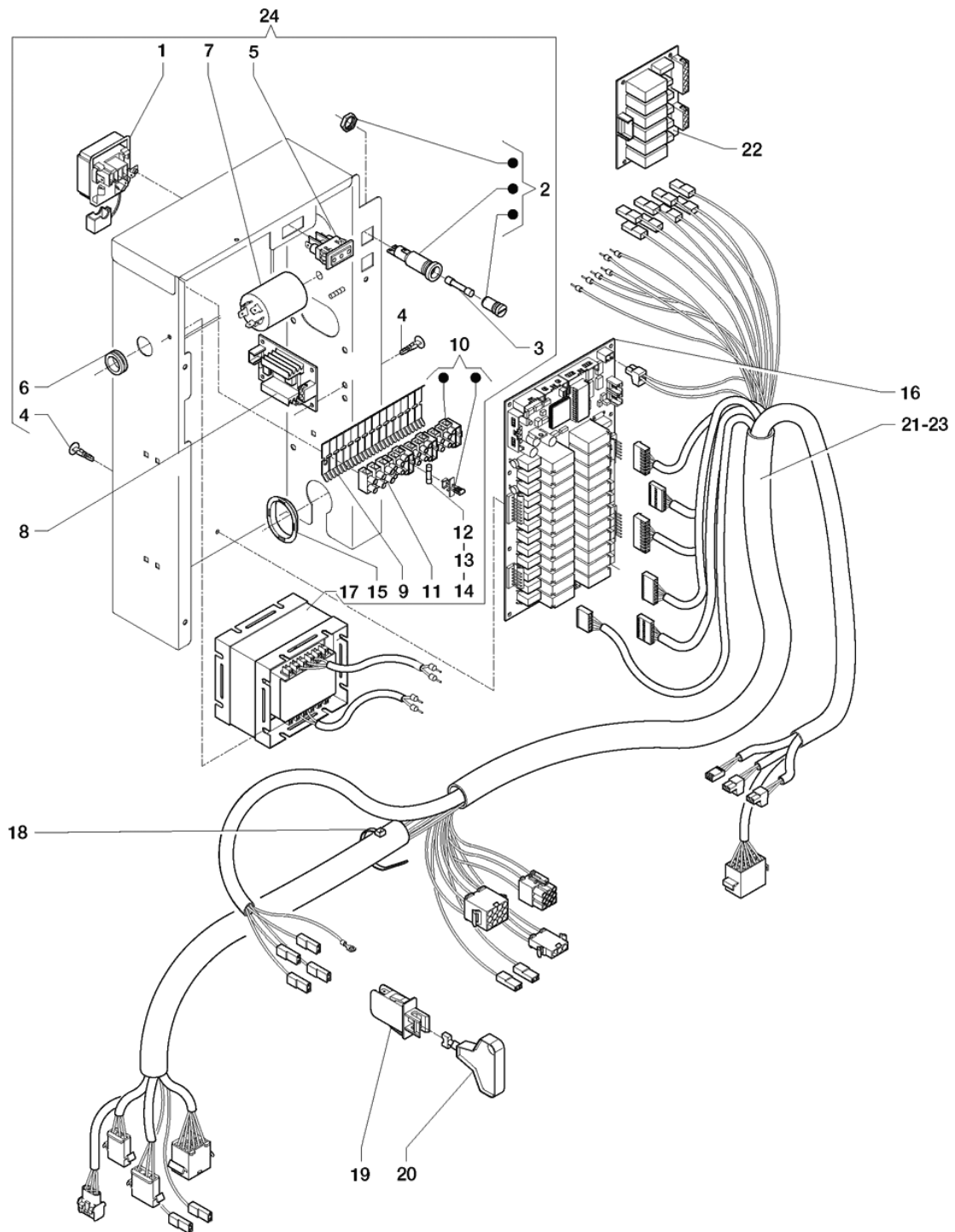


	Code	Description	Notes
1	0V3688	DOOR	
2	0V3686	DOOR BOX	
3	0V3646	DOOR SWITCH ACTUATOR	
4	098833	BUFFER	
5	099905	LOCK RIELDA	
6	0V0506	LATCH	
7	0V3703	SLIDER GUIDE	
8	097455	MONEY RETURN SHUTTER BRACKET	
9	093891	SHUTTER PIVOT	
10	093890	MONEY RETURN SHUTTER	
11	0V2093	DISPENSING COMPARTMENT DOOR	
12	0V3687	COIN BOX	
13	0V3652	COIN BOX HANDLE	
14	0V3708	COIN CASHING CHUTE	
15	0V3707	COIN RETURN CHUTE	
16	0V3634	BOX COVER	
17	0V3648	COIN MECHANISM STOP	
18	0V3704	COIN RETURN LEVER	
19	987839	RETURN SPRING	
20	0V3706	LEVER SUPPORT	
21	0V3659	HANDLE	
22	0V3705	COIN SLOT CHUTE	
23	250458	16BIT CPU BOARD 2MB	TO BE PROGRAMMED
23	252436	16 BIT CPU BOARD 4MB	UNTIL SERIAL NUMBER 62100881 FROM SERIAL NUMBER 62100882
24	097175	CARD SPACER	
25	0V3647	COIN SLOT CHUTE SUPPORT	
26	093916	WHIPPING OVAL	
27	250182	MAGNET	
28	097807	BUTTON	
29	090021	WHIPPING DIAM 10.5 MM	
30	0V3635	READER SUPPORT	
31	0V3675	LEFT DOOR HINGE	
32	0V3674	RIGHT DOOR HINGE	
33	090861	CYLINDER LOCK TYPE K	
34	092218	PASSE-PARTOUT LOCK K	
35	098551	BOLT	
36	0V1431	SPACER	
37	0V4263	BLACK COIN RETURN CHUTE	
38	250459	DOOR FOR PHOTOGRAPHIC PANEL	
39	250197	TRANSPARENT PANEL	
40	250198	PHOTOGRAPHIC PANEL	
41	0V2284	SCALER 24 VOLT	
42	250735	ELITE DOOR -KIKKO	
43	250762	DOOR WITH PHOTOGRAPHIC PANEL-BLUE-	
44	250759	PHOTOGRAPHIC PANEL -GESA -	
45	251319	NESTLE' DOOR ASSEMBLY -I -	

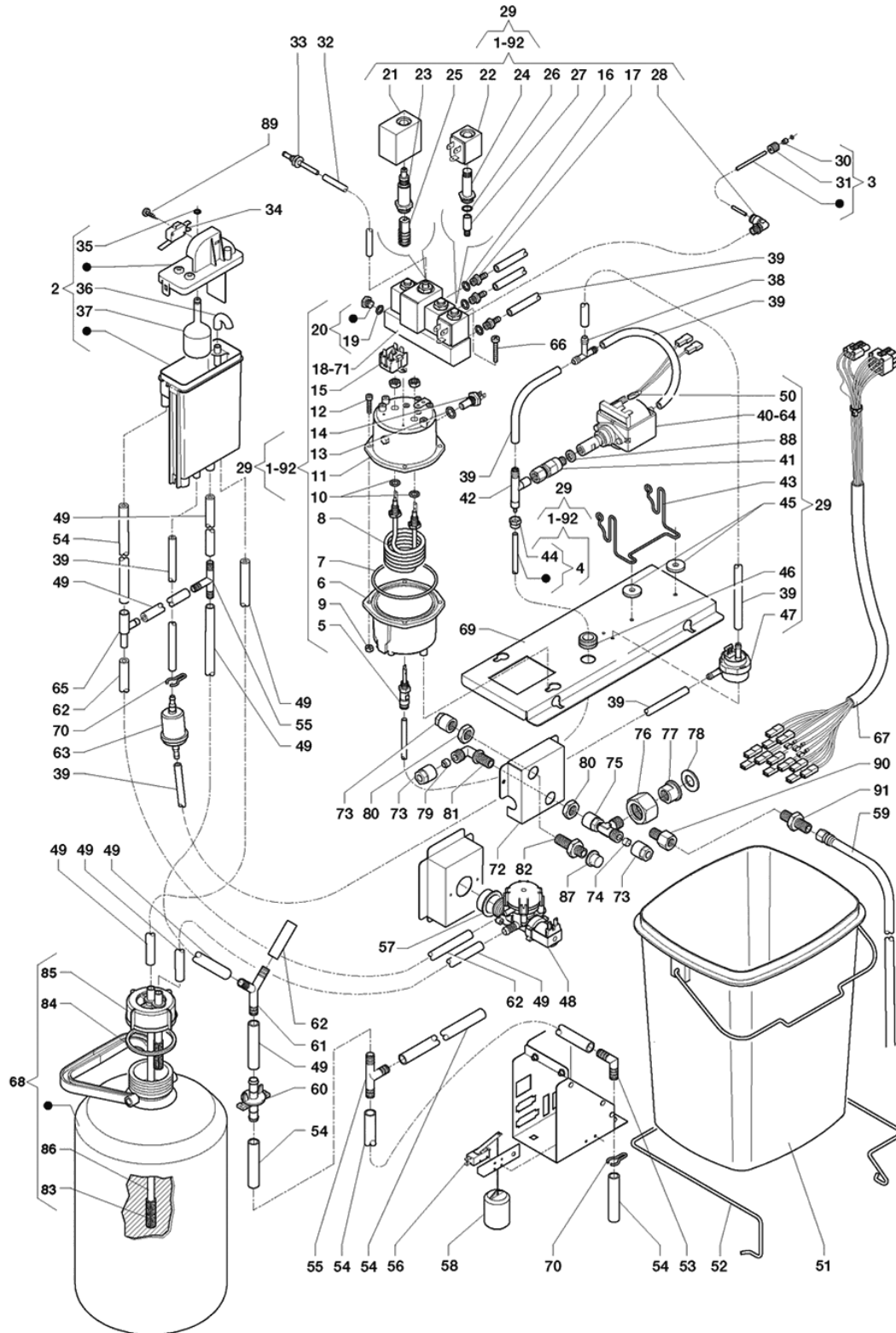
	Code	Description	Notes
46	250636	NESCAFE' DOOR - FRANCE -	
47	250455	NESCAFE' DOOR	
48	0V2713	13 V. 1 AMP ADJUSTMENT BOARD	
49	0V2712	SMILE BILL CASHBOX WIRING	
50	0V2714	SMILE BILL CASHBOX	
51	251744	KIKKO DOOR- BLACK-	
52	252088	NESTLE' DOOR -GR -	
53	252172	UPPER PHOTOGRAFIC PANEL-BLONDEDALLMAYR-	
54	251515	ADHESIVE SEAL (A METER)	



	Code	Description	Notes
1	0V3839	UPPER PART FOR PIECE OF FURNITURE	
2	0V3644	DOUBLE ROD	
3	0V1506	RETURN SPRING	
4	0V3645	ROD ARTICULATION	
5	0V3701	FRONT PROFILE	
6	0V3639	PIPE GUIDE	
7	0V3468	LOWER MOLDING	
8	0V3507	FOOTCOVER MOULDING	
9	252126	GREY FEET COVERING ASS.	
10	252124	4 FEET KIT	
11	099727	STOPPER	
12	0V4262	BLACK FOOT MOULDING	
13	0V4261	BLACK LOWER MOLDING	
14	0V4272	CABINET TOP	
15	0V4255	BLACK FRONT PROFILE	
16	250454	COMPLET BLACK FOOT COVER	
17	250754	BLUE LOWER MOLDING	
18	250755	BLUE FOOT MOULDING	
19	252127	BLUE FEET COVERING ASS.	
20	250757	BLUE FRONT PROFILE	
21	250761	BLUE CABINET TOP	
22	094111	INSULATING DOLLY BLOCK	
23	250453	BLACK CABINET TOP	



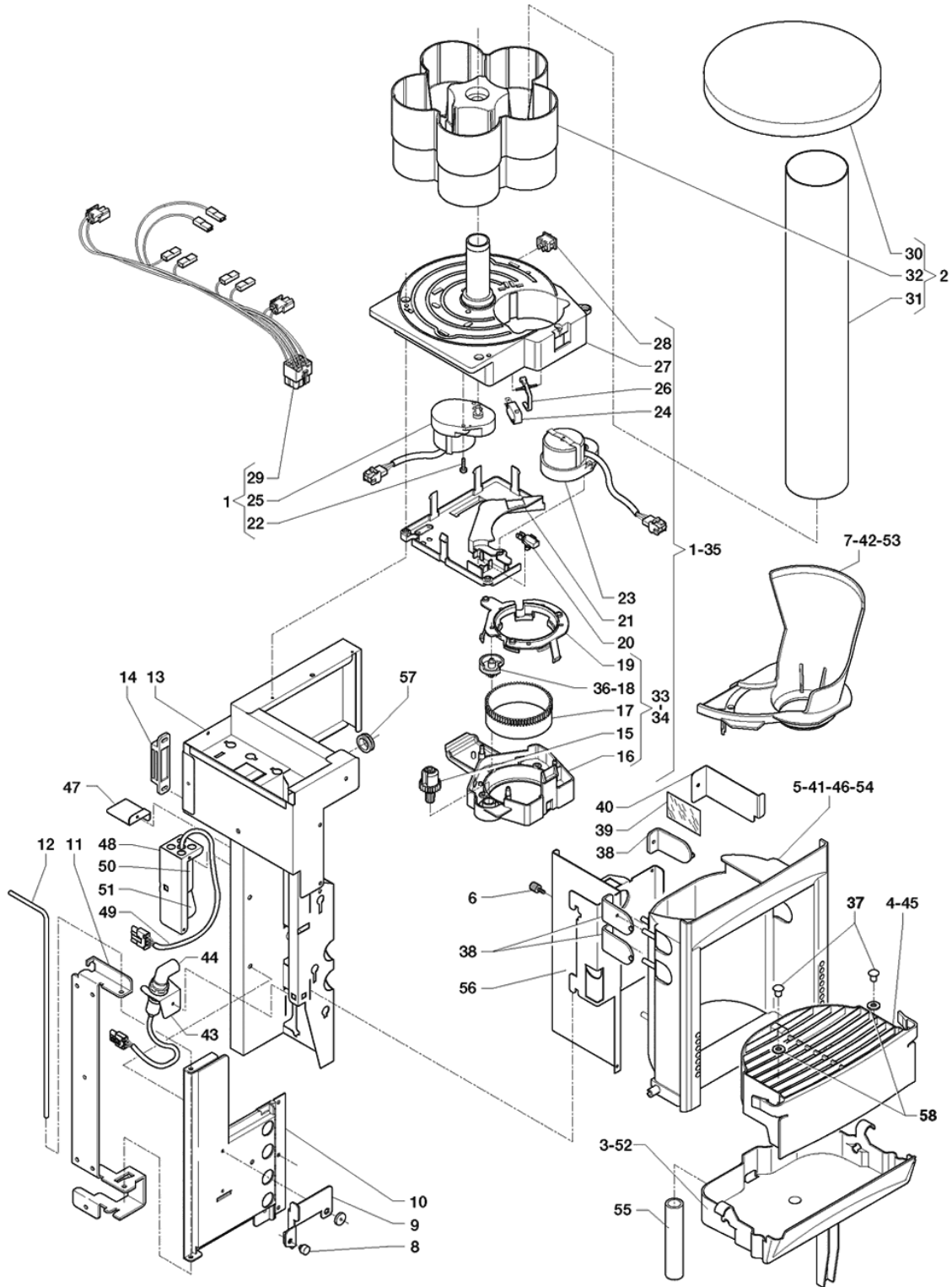
	Code	Description	Notes
1	098796	TERMINAL BOARD	
2	0V3201	FUSE HOLDER	
3	095636	FUSE 15 A	
4	097175	CARD SPACER	
5	096921	POWER POINT 10 AMP	
6	093312	WHIPPING DIAM MM 12 ART 46	
7	0V3512	ELECTRICAL NET FILTER	
8	0V2143	BOILER CONTROL BOARD	
9	097242	SUB-TERMINAL BOARD	
10	097241	3-POLE TERMINAL BOARD W/CARRIER	
11	098793	5P TERMINAL BOARD WITH FUSE-HOLDER	
12	096922	FUSE 5X20 800M AMP	
13	096923	FUSE 5X20 1 AMP DELAYED ACTION	
14	097259	FUSE 5X20 4A DELAYED ACTION	
15	093916	WHIPPING OVAL	
16	0V3671	ACTUATION BOARD 16BIT 2MB	UNTIL SERIAL NUMBER 62100881
16	252437	16 BIT CONTROL BOARD 4MB	FROM SERIAL NUMBER 62100882
17	0V0014	25-25V TRASFORMER	
18	090148	CLIP	
19	097796	SWITCH	
20	0V1654	SWITCH KEY	
21	0V3664	MAIN WIRING	
22	0V3202	OUT/R CARD. 6 RELAYS	
23	0V3842	INSTANT GENERAL WIRING	
24	251924	ELECTRICAL PANEL-KIKKO-	



	Code	Description	Notes
1	0V3680	BOILER ASSEMBLY 600 C.C. 230V	
2	0V1133	AIR-BREAK ASSEMBLY	
3	0V3676	PISTON PIPE	
4	0V3677	PUMP/BOILER PIPE	
5	098758	STRAIGHT UNION	
6	0V3651	BOILER LOWER COVER	
7	099748	GASKET	
8	099653	HEATING ELEMENT 1450 W	
9	985318	NUT	
10	252684	O-RING	
11	0V3650	BOILER UPPER COVER	
12	096194	SCREW M6X25	
13	095624	GASKET O-RING 116 EP851	
14	094872	BOILER TEMPERATURE PROBE	
15	0V1318	125 DEGR. THERMOSTAT	
16	094594	GASKET O-RING 2031	
17	095529	RUBBER HOLDER UNION 1/8' (BRASS)	
18	0V1739	2+2+3+2 WAYS ELECTROVALVE ASSEMBLY	
19	096553	GASKET O-RING 2037	
20	0V1600	CAP WITH O-RING	
21	099057	ELECTROV.-COIL 220/230 VOLT	
22	099056	INSTANTS COIL	
23	099105	COFFEE-ELECTROV. CONNECTION PIPE	
24	0V1953	INSTANT-ELECTROV. CONNECTION PIPE	
25	097472	3-WAY ELECTROVALVE NUCLEUS -VITON-	
26	099059	VALVE-BUSH-GASKET	
27	099058	NUCLEUS INSTANT-E.V.	
28	0V2509	UNION L-SHAPE 5X1/8	
29	251745	BOILER/COFFEE BRACKET ASSEMBLY-KIKKO-	
30	098711	BUSH PISTON PIPE	
31	098699	UNION FOR PISTON PIPE	
32	097529	SILICONE HOSE 3X6 BROWN	
33	099329	FUNNEL NOZZLE D. 3.4	
34	0V1141	MICROSWITCH	
35	252538	O-RING 2025	
36	0V1749	WATER/AIR-BREAK CONNECTION	
37	0V1126	AIR-BREAK FLOAT	
38	094231	UNION T-SHAPE	
39	097510	SILICONE HOSE 5X9 BROWN	
40	098760	PUMP (VIBRATION)	
41	099101	NO-RETURN VALVE	
42	098764	BY-PASS PUMP (12 BAR)	
42	099528	BY-PASS PUMP (2 BAR)	
43	098697	PUMP SUPPORT	
44	099107	NUT	
45	093091	PUMP DAMPER	

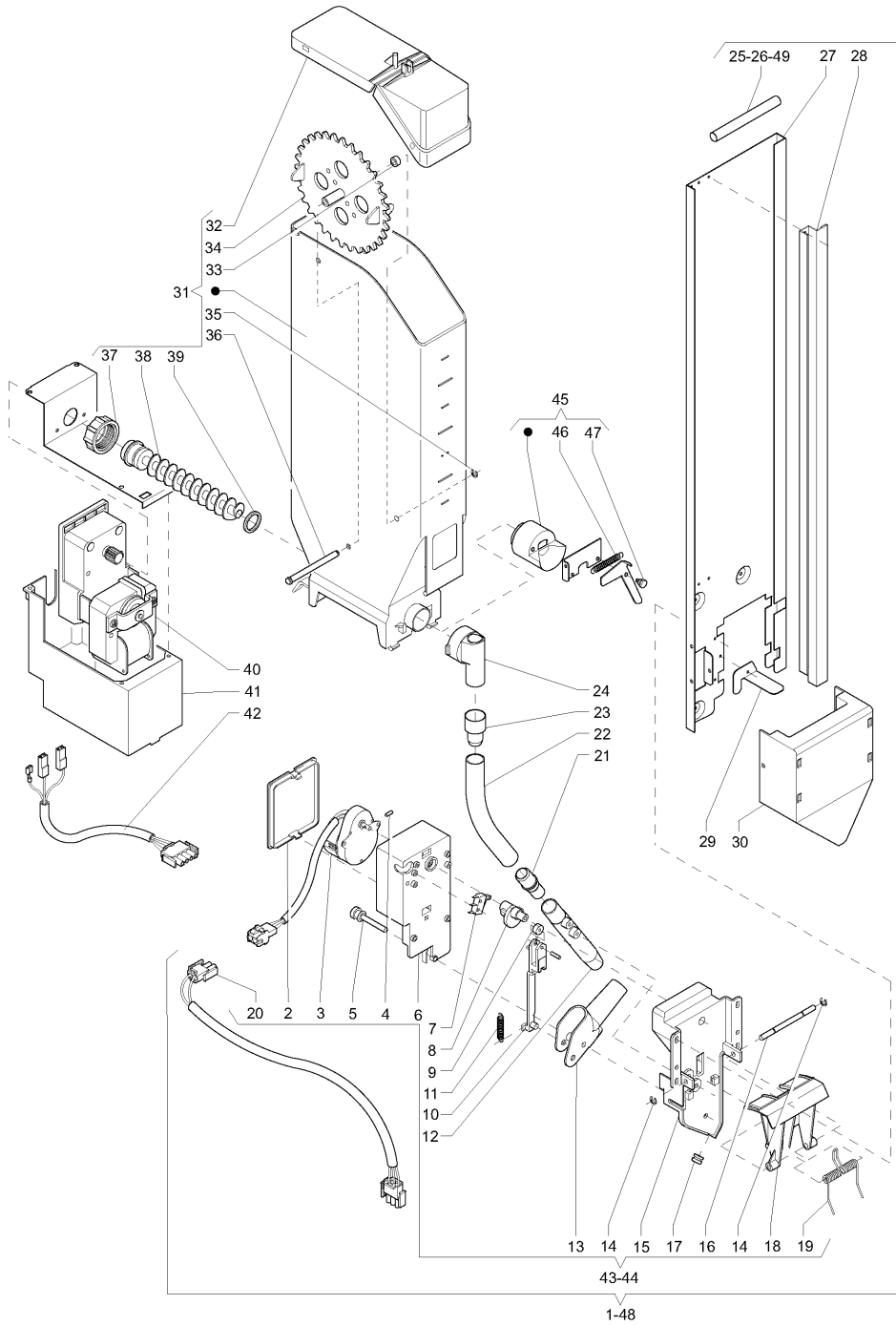
	Code	Description	Notes
46	090021	WHIPPING DIAM 10.5 MM	
47	098707	VOLUMETRIC COUNTER	
48	097383	ELECTROVALVE WATER-INLET 220V-2.5L/MIN-	
49	097685	SILICONE HOSE BROWN 7.5X12	
50	098815	90 DEGREES THERMIC PROTECTION	
50	0V1301	110 DEGREES THERMAL OVERLOAD	
51	097530	SQUARE WASTE BASKET BROWN	
52	0V3653	LIQUID CONTAINER STOP	
53	094571	UNION 90 DEGREES	
54	097515	SILICONE HOSE 10X16 BROWN	
55	096552	UNION T-SHAPE	
56	093308	MICROSWITCH SERIE RLL/D	
57	099815	STOPPER	
58	094294	FLOAT	
59	097378	CONNECTION PIPE	
60	250352	UNION	
61	093959	UNION Y-SHAPE DIAM 12 OUTER	
62	097512	SILICONE HOSE 6X12 BROWN	
63	097435	WATER FILTER VOLUMETRIC COUNTER	
64	0V0465	PUMP 220V - 60 HZ	
65	094185	CODENSE RECOVERY UNION	
66	250993	SCREW M4X25	
67	0V3668	COFFEE BRACKET WIRING	
68	094124	DEPURATOR COMPLETE	
69	250367	BOILER BRACKET	
70	093957	TUBE CLAMP	
71	250340	2+2+3+2 WAYS ELECTROVALVE 220V-60HZ	
72	0V4252	CONNECTIONS SUPPORT	
73	092387	TIGHTENING NUT	
74	096656	PLUG COLLAR	
75	095586	BANJO UNION T-SHAPE	
76	093951	TIGHTENING NUT G 3/4	
77	093952	WATER INLET CONNECTION NIPPLE	
78	092364	UNION GASKET 3/4	
79	092388	TIGHTENING RING	
80	092652	LOCK NUT 1/4 REV	
81	092651	INTERMEDIATE ELBOW LINK	
82	0V2199	UNION 1/4	
83	091993	DEPURATOR FILTER	
84	092942	DEPURATOR COVERING GASKET	
85	094126	DEPURATOR LID	
86	094127	WATER OUTLET PIPE	
87	099805	STOPPER	
88	251143	ALUMINIUM WASHER	
89	987612	EJOT-PT-SCREW 4X12	
90	097441	WATER INLET INTERMEDIATE HYP.-2	

	Code	Description	Notes
91	0V2708	1/4 UNION	
92	250341	BOILER ASSEMBLY 600 C.C. 220V-60HZ	



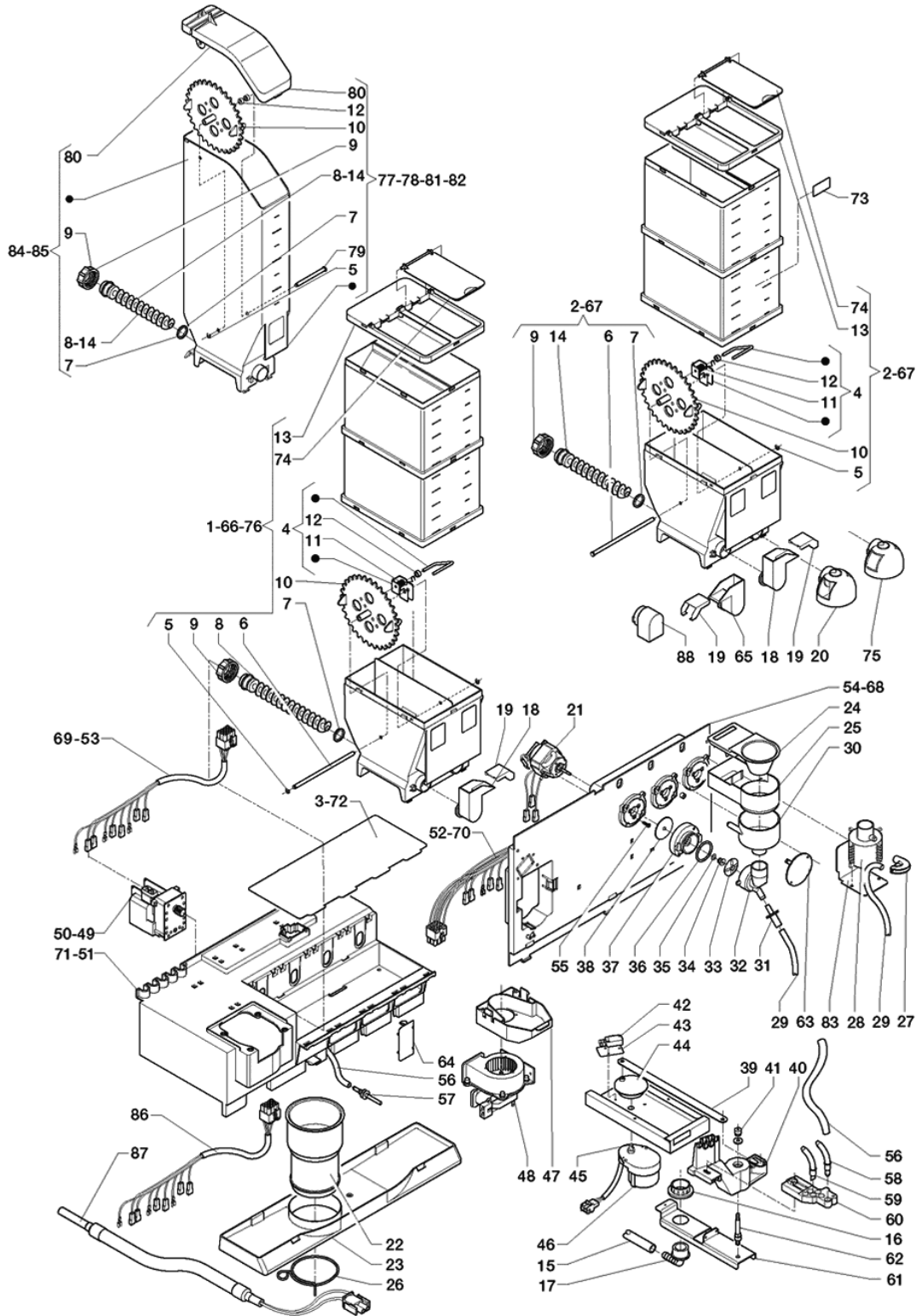
	Code	Description	Notes
1	0V3678	CUP DISPENSER 70/71	
2	0V3679	CUP CONTAINER	
3	0V3691	DISPENSING COMPARTMENT TRAY	
4	250353	GREY DISPENSING OPENING GRID	
5	0V3702	DISPENSING COMPARTMENT BACK PANEL	
6	096977	KNURL	
7	0V3709	CUP CHUTE 70/71	
8	092738	WEDGE BUMPER	
9	0V3649	BRACKET LOCK-OUT LEVER	
10	0V3685	DOUBLE HINGE	
11	0V3641	HINGE SUPPORT	
12	0V3654	FULCRUM PIN	
13	0V3684	CUP STATION BRACKET	
14	097508	LOCKING MAGNET	
15	0V3697	MICRO GEAR	
16	0V3695	SNAIL SUPPORT	
17	098477	TOOTHED RING	
18	098305	SCROLL DIAM.70/71	
19	0V3696	SNAIL RING	
20	0V1931	MICROSWITCH 'UL'	
21	0V3694	MOTOR GEARMOTOR SUPPORT	
22	987628	EJOT-PT-SCREW 30X8	
23	0V2549	MOTOREDUCTOR 3 G/M	
24	092439	MICRO TYPE 'CHERRY'	
25	0V3672	RATIOMOTOR	
26	0V2548	LEVER FOR MICROSWITCH	
27	0V3693	CUP BASE	
28	097807	BUTTON	
29	0V3665	CUP DISPENSER WIRING	
30	0V3658	CUP CONTAINER COVER	
31	099415	CUP COLUMN	
32	0V4107	CONTAINER BASE	
33	0V4187	CUP RELEASING 70/71	
34	0V4190	CUP RELEASING 73/74	
35	0V4271	CUP DISPENSER 73/74	
36	0V1659	SNAIL W/DIAM. 73-74	
37	099184	CUP POSITIONING PIN	
38	0V3717	GLASS	
39	0V0906	CATADIOPTIC PLATE	
40	0V4176	CATADIOPTIC SUPPORT	
41	0V3714	PHOTOCELL COMPARTMENT BACK PANEL	
42	0V3715	CUP CHUTE 73/74	
42	0V4266	BLACK CUP CHUTE 73/74	
43	0V4175	PHOTOCELL SUPPORT	
44	0V2149	PHOTOCELL	
45	250354	BLACK DISPENSING OPENING GRID	

	Code	Description	Notes
46	0V4265	BLACK DISP.OPENING BACK PANEL+HOLES	
47	0V4253	PROTECTION SQUARE	
48	0V4251	LAMP SUPPORT	
49	0V4269	LAMP WIRE	
50	0V2237	LAMP-HOLDER	
51	0V2236	FILAMENT LAMP T26/57 CL 25W	
52	250347	DISPENSING COMPARTMENT TRAY -BLACK-	
53	250195	BLACK CUP CHUTE 70/71	
54	250246	BLACK DISP.OPENING BACK PANEL	
55	093628	HOSE VIPLA TRANSPARENT DIAM MM 14X1	
56	251277	DISPENSING COMPARTMENT BACK SUPPORT	
57	093916	WHIPPING OVAL	
58	096863	PIVOT WASHER	



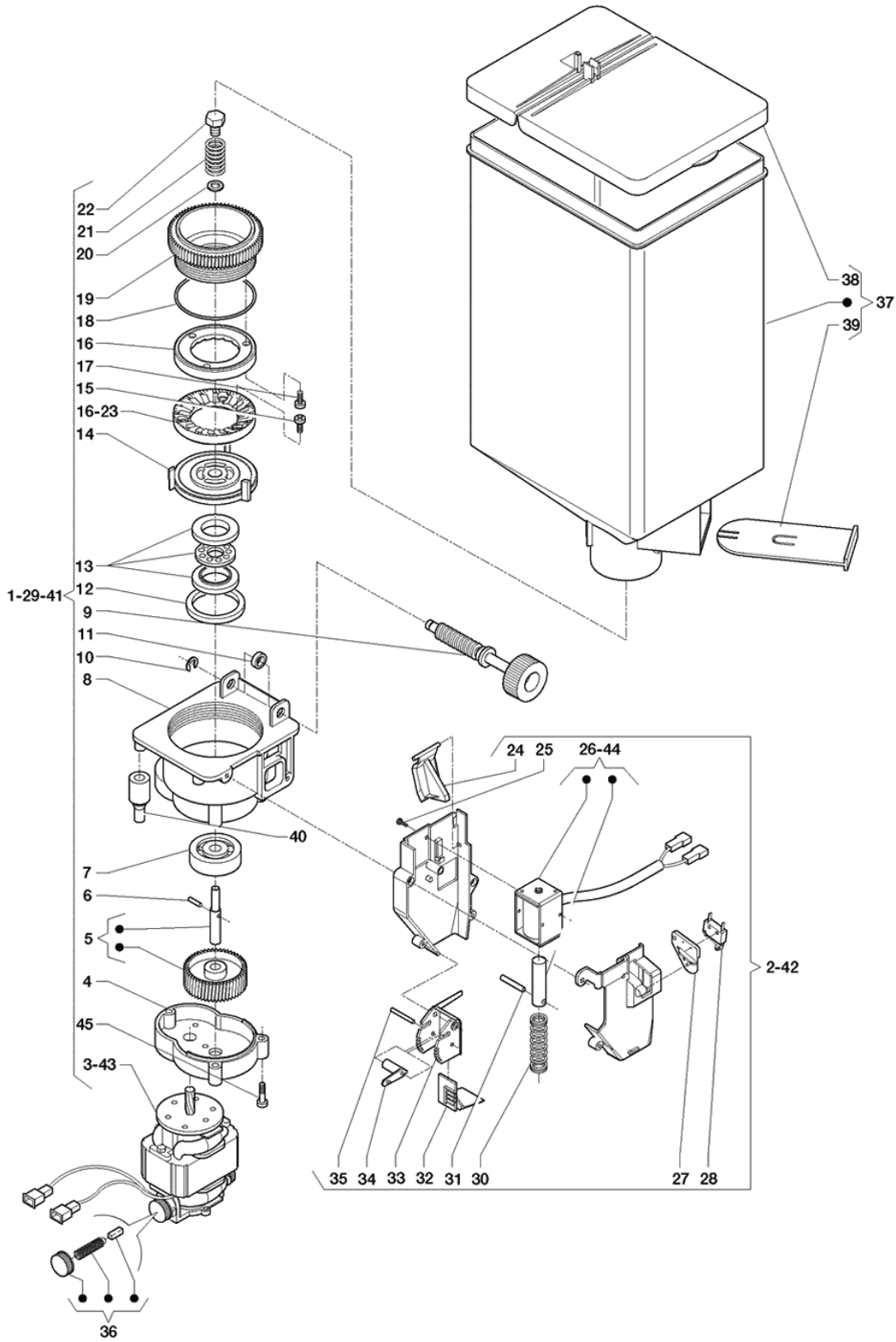
	Code	Description	Notes
1	0V3727	SUGAR/STIRRER DISPENSER	
2	099609	COVER	
3	099397	MOTOR REDUCTOR 6G/1 MIN.	
4	096904	ELASTIC PLUG 1.5X8	
5	0V2949	SUGAR SPOUT PIN	
6	099608	SUPPORT	
7	096355	MICRO SWITCH -UL -	
8	099606	CAM	
9	099604	ROLLER	
10	099605	ROD	
11	099616	SPRING	
12	098356	SUGAR PIPE	
13	099721	SUGAR NOZZLE	
14	091959	BENZING COLLAR DIAM MM4	
15	099607	BODY	
16	098352	STIRRING BARS EJECTING PIN	
17	098853	PASS-WIRE	
18	099610	LEVER	
19	099602	SPRING	
20	0V3666	STIRRER DISPENSER WIRING	
21	099375	HOSE COUPLING	
22	098719	PVC PIPE 14X19(A METER)	
23	0V3657	PIPE COUPLING	
24	098939	ROUND STRAIGHT PIPETTE	
25	099720	STIRRER BAR WEIGHT L=105	
26	090203	STIRRER BAR WEIGHT L=95	
27	0V3636	STIRRER COLUMN 90/115	
28	0V3640	STIRRER SELECTION ROD	
29	0V3830	STIRRING GUIDE SQUARE	
30	0V3022	105 MM STIRRER CHUTE	
31	253332	SUGAR CONTAINER ASSEMBLY	
32	253333	SUGAR CONTAINER COVER	
33	098812	SPACER	
34	095936	WHEEL	
35	091959	BENZING COLLAR DIAM MM4	
36	0V1962	PIN FOR WHEEL	
37	095849	CONTAINER RING NUT	
38	098609	SCROLL	
39	095829	GASKET O-RING	
40	0V3673	SUGAR RATIOMOTOR 52 RPM	
41	0V3710	CONTAINER BASE BRACKET	
42	0V3667	SUGAR DOSING UNIT WIRING	
43	0V3857	STIRRER DISPENSER	
44	0V3663	SUGAR/STIRRER DISPENSER	
45	0V4274	SUGAR CONVEYOR ASSY.	
46	093978	SPRING FOR ACTUATOR	

	Code	Description	Notes
47	987612	EJOT-PT-SCREW 4X12	
48	252087	STIRRING-BAR DISTRIBUTOR L=115	
49	252034	115 MM STIRRER BAR WEIGHT	

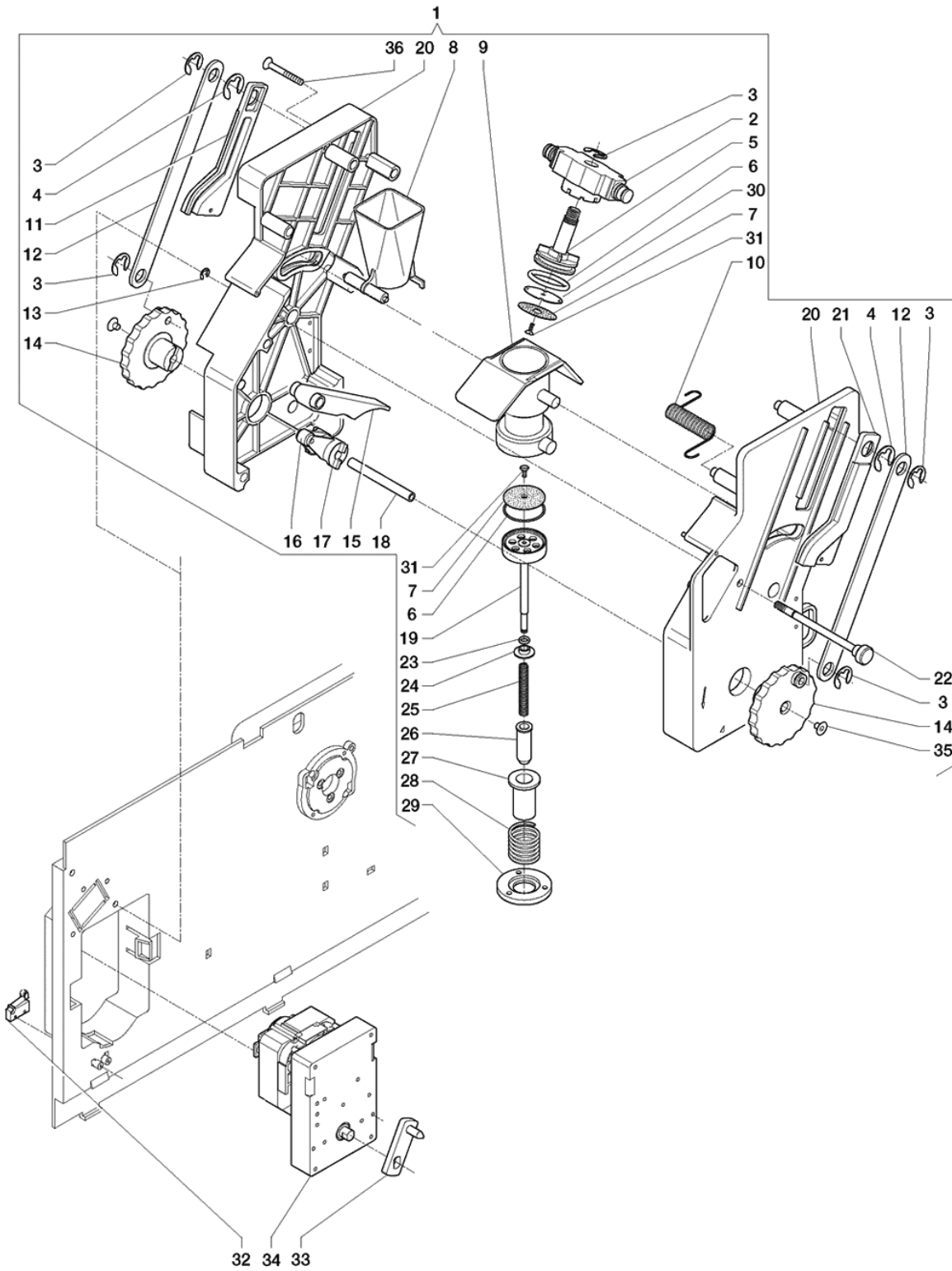


Code	Description	Notes	
1	0V3683	RIGHT LONG AUGER CONTAINER+BEATER	
2	0V3682	LEFT NORMAL AUGER CONTAINER+BEATER	
3	0V3638	INTAKE OPENING COVER	
4	099494	CANISTER-BEATER	
5	091959	BENZING COLLAR DIAM MM4	
6	0V3728	WHEEL PIN	
7	095829	GASKET O-RING	
8	098608	LONG SCROLL	
9	095849	CONTAINER RING NUT	
10	095936	WHEEL	
11	099442	SPRING	
12	098812	SPACER	
13	0V3722	CONTAINER EXTENSION COVER	
14	098609	SCROLL	
15	097515	SILICONE HOSE 10X16 BROWN	
16	099643	COLLAR	UNTIL SERIAL NUMBER 71601065
17	0V2066	3/4 ANGLED RUBBER HOLDER	UNTIL SERIAL NUMBER 71601065
17	253277	ANGLED RUBBER HOLDER	FROM SERIAL NUMBER 71601066
18	0V2070	RH POWDER FEEDER	
19	0V2076	SHORT CONVEYOR COVER	
20	0V1536	ROUND SPHERICAL CONTAINER OPENING	
21	098808	MOTORMIXER	
22	0V3698	USED DOSE DISCHARGE PIPE	
23	0V3689	MIXER TRAY	
24	0V1534	DRAWER COVER	
25	0V1537	SUCTION DRAWER	
26	094048	BAG LOCK COLLAR	
27	251295	COIL UNION FOR TEA	
28	097923	COIL FOR TEA	
29	097511	SILICONE HOSE 6X9 BROWN	
30	0V1535	WATER FUNNEL	
31	097914	COFFEE CHOKE	
32	0V2519	CONVEYOR FOR MIXER	
33	097916	MIXER VENTILATOR	
34	097917	BUSH SEAL	
35	099880	GASKET	
36	094540	GASKET O-RING 3125	
37	097911	FLANGE FOR MIXER	
38	099889	DISK	
39	0V3643	CONTROL CON-ROD	
40	0V3699	NOZZLE SHIFT ARM	
41	093828	KNURL	
42	0V1930	MICROSWITCH 'UL'	
43	090681	INSULATING DISK	
44	251519	CRANK	
45	096904	ELASTIC PLUG 1.5X8	

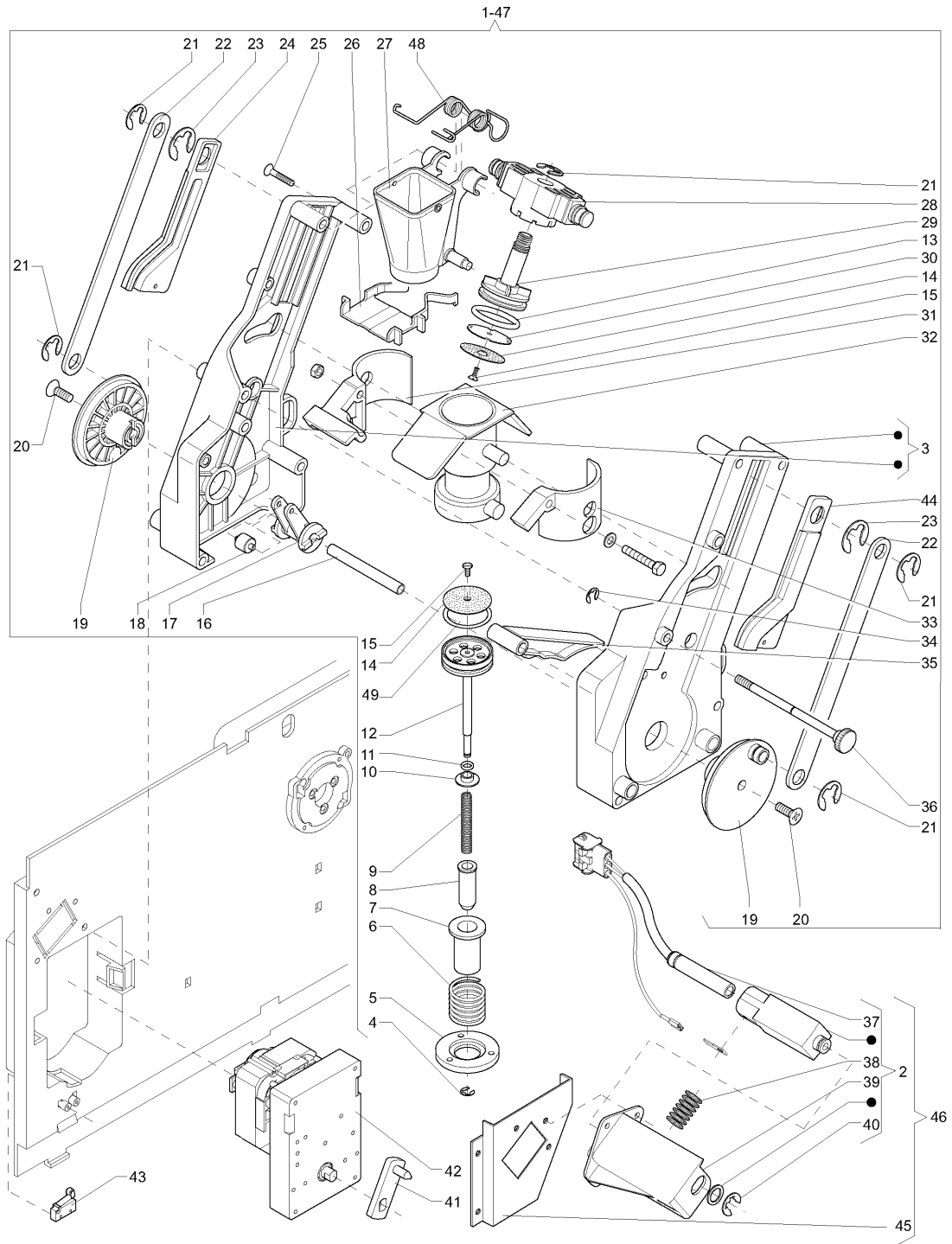
	Code	Description	Notes
46	099617	MOTOREDUCER 12G/1 MIN.	
47	0V3700	FAN SUPPORT	
48	098583	ELECTROVENTILATOR	
49	0V3725	RATIOMOTOR 52 RPM	
50	0V3726	RATIOMOTOR 78 RPM	
51	0V3711	RATIOMOTOR SUPPORT	
52	0V3669	MIXER BRACKET WIRING	
53	0V3840	DOSERS BRACKET WIRING	
54	0V3712	MIXER BRACKET	
55	099773	SCREW	
56	097510	SILICONE HOSE 5X9 BROWN	
57	099329	FUNNEL NOZZLE D. 3.4	
58	097922	NOZZLE	
59	097953	POINTED NOZZLE	
60	098067	SUPPORT FOR INSTANT NOZZLES	
61	0V3642	ARM SUPPORT	
62	0V3655	ARM ROTATION PIN	
63	0V3716	MIXER PLUG	
64	0V3724	BRACKET COVER	
65	0V2072	LH POWDER FEEDER L=38	
66	0V3855	RIGHT LONG AUGER CONTAINER+BEATER	
67	0V3856	LEFT LONG AUGER CONTAINER	
68	0V3721	INSTANT MIXER BRACKET	
69	0V3853	DOSERS BRACKET WIRING- INSTANT	
70	0V3854	MIXER BRACKET WIRING- INSTANT	
71	0V3720	INSTANT GEARMOTOR SUPPORT	
72	0V3858	INTAKE OPENING COVER- INSTANT	
73	097502	NAMEPLATE GROUP CONTAINER INSTANT P	
74	0V3723	COVER	
75	0V3719	SQUARE SPHERICAL OPENING	
76	250183	RH CONTAINER FOR NORMAL AUGER + BEATER	
77	0V2173	NORMAL AUGER CONTAINER	
78	0V2174	LONG AUGER CONTAINER	
79	0V1962	PIN FOR WHEEL	
80	0V2048	POWDER CONTAINER LID	
81	0V2175	LONG AUGER CONTAINER+BEATER	
82	0V2177	NORMAL AUGER CONTAINER+BEATER	
83	251222	COIL SUPPORT FOR TEA	
84	250775	LONG AUGER CONTAINER WITHOUT WHEEL	
85	0V2925	STANDARD AUGER CONTAINER WITHOUT WHEEL	
86	251490	HEATING TUBE WIRING	
87	251491	COFFEE DISPENSING PIPE	
88	096868	SQUARE STRAIGHT PIPETTE	



	Code	Description	Notes
1	099336	GRINDER	
2	099337	COFFEE DOSER	
3	099732	GRINDER MOTOR	
4	099468	SUPPORT	
5	099470	SHAFT WHEEL	
6	098293	ELASTIC PLUG	
7	095803	RADIAL BEARING	
8	099469	CAP	
9	099474	REGULATION SCREW	
10	093171	OUTER FIXING COLLAR DIAM MM6	
11	099457	WASHER	
12	093271	COFFEE JUNK RING	
13	093187	THRUST BEARING	
14	095802	GRINDER HOLDER IMPELLER	
15	095809	SELF-THREADING SCREW (M4)	
16	095840	GRINDER	
17	097879	NICKELPLATED SCREW	
18	095805	GASKET O-RING	
19	099473	GRINDER HOLDER	
20	096988	WASHER	
21	099471	SPRING	
22	099472	LEFT SCREW	
23	253294	GRINDER PLUS	
24	099475	ACTUATOR	
25	092657	CLOSS SLOT SCREW 3X6TC	
26	098716	ELECTROMAGNET 220V	
27	0V2082	ADAPTER PLATE	
28	0V2131	BURGESS MICRO-SWITCH	
29	251493	PLUS GRINDER	
30	098696	SPRING DOSER ELECTROMAGNET	
31	093832	ROD PIVOT	
32	098643	RULE COFFEE-DOSES	
33	098642	SHUTTER COFFEE-DOSER	
34	098644	LEVER FOR RULE	
35	098822	PIN FOR LEVER	
36	0V3229	MOTORBRUSH KIT	
37	0V3681	COFFEE CONTAINER	
38	0V0421	COVER	
39	098630	ROLL-UP FOR CONTAINER	
40	099484	LITTLE RUBBER	
41	0V0448	GRINDER 60 HZ	
42	0V0449	COFFEE DOSER 60 HZ	
43	0V0451	GRINDER MOTOR 60 HZ	
44	0V0467	ELECTROMAGNET 60 HZ	
45	250290	SCREW 4.2X26	

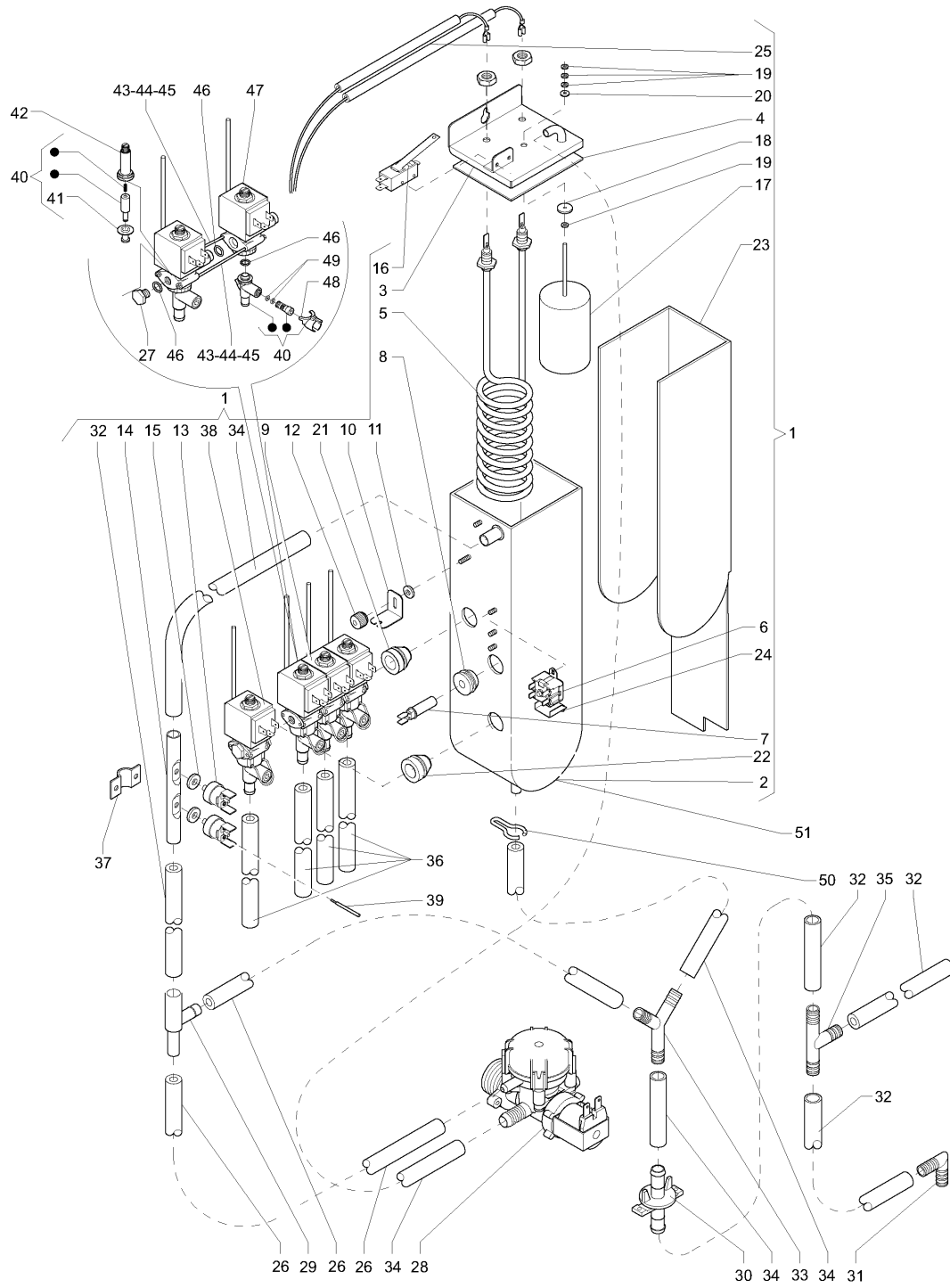


	Code	Description	Notes
1	251687	COFFEE-GROUP Z3000	
2	098568	CROSS-BAR	
3	092717	FIXING COLLAR DIAM MM10	
4	096569	FIXING COLLAR DIAM 12	
5	098577	UPPER PISTON	
6	093167	SILICONE GASKET OR 4118 .	
7	098687	COFFEE FILTER	
8	098570	COFFEE CHUTE	
9	0V1715	BREWING CHAMBER W/PLUG	
10	098920	SCRAPER	
11	098571	REAR SLEDGE	
12	098565	TRACE FOR PISTON COMMAND	
13	098818	STOPPING RING D.4	
14	098573	CRANK	
15	098575	OSCILLATING LEVER	
16	098692	ROTATING LEVER ROLL	
17	098574	ROTATING LEVER	
18	098693	ROD CRANK BLOCKING	
19	099490	LOWER PISTON	
20	0V1714	FRONT AND REAR SHOULDER	
21	098572	FRONT SLEDGE	
22	098694	ROD WITH KNURL	
23	090421	GASKET OR 2025	
24	098690	CONTROL BUSH	
25	098688	PISTON RETURN SPRING	
26	098691	LOWER PISTON GUIDE	
27	098567	LID FOR SPRING	
28	098689	PREINFUSION SPRING	
29	098569	FLANGE FOR SPRING	
30	0V1789	WATER DEFLECTOR	
31	251235	STEEL SCREW M3X10MM	
32	096355	MICRO SWITCH -UL -	
33	098763	CRANK WITH PIN	
34	098708	MOTOREDUCER	
35	0V3889	SCREW 6X14	
36	250290	SCREW 4.2X26	



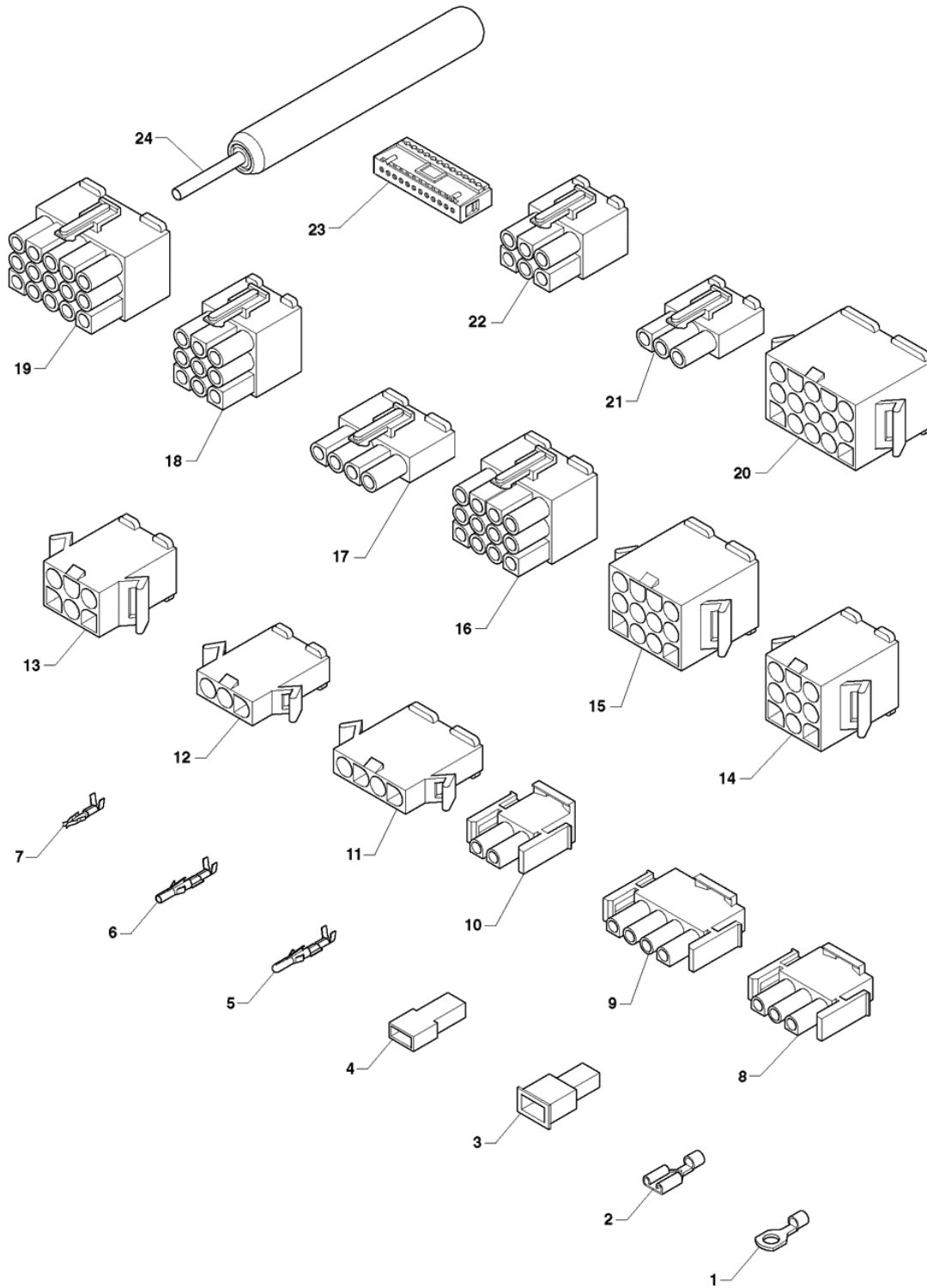
	Code	Description	Notes
1	251492	Z3000 COFFEE UNIT WITH HEATER	
2	0V1783	Z2000M HEATER WITH SUPPORT	
3	251101	RH-LH SUPPORT	
4	098818	STOPPING RING D.4	
5	098569	FLANGE FOR SPRING	
6	098689	PREINFUSION SPRING	
7	098567	LID FOR SPRING	
8	098691	LOWER PISTON GUIDE	
9	098688	PISTON RETURN SPRING	
10	098690	CONTROL BUSH	
11	090421	GASKET OR 2025	
12	099490	LOWER PISTON	
13	093167	SILICONE GASKET OR 4118 .	
14	098687	COFFEE FILTER	
15	251235	STEEL SCREW M3X10MM	
16	098693	ROD CRANK BLOCKING	
17	098574	ROTATING LEVER	
18	098692	ROTATING LEVER ROLL	
19	098573	CRANK	
20	0V3889	SCREW 6X14	
21	092717	FIXING COLLAR DIAM MM10	
22	098565	TRACE FOR PISTON COMMAND	
23	096569	FIXING COLLAR DIAM 12	
24	098571	REAR SLEDGE	
25	250290	SCREW 4.2X26	
26	251740	COFFEE SCRAPER	
27	251739	Z3000 COFFEE CHUTE	
28	098568	CROSS-BAR	
29	098577	UPPER PISTON	
30	0V1789	WATER DEFLECTOR	
31	251486	Z3000 REAR PANEL	
32	0V1715	BREWING CHAMBER W/PLUG	
33	0V1784	FRONT PANEL	
34	091287	OUTER FIXING COLLAR	
35	098575	OSCILLATING LEVER	
36	252020	TIEROD WITH KNURLED NUT	
37	0V1786	25 WATT 110/265 V RESISTOR	
38	0V1788	CONTACT SPRING	
39	0V1787	SUPPORT	
40	987948	LOCKING WASHER	
41	098763	CRANK WITH PIN	
42	098708	MOTOREDUCER	
43	096355	MICRO SWITCH -UL -	
44	098572	FRONT SLEDGE	
45	251487	HEATER SUPPORT	
46	251928	HEATER SUPPORT	

	Code	Description	Notes
47	251687	COFFEE-GROUP Z3000	
49	253411	GASKET O-RING 4112	



	Code	Description	Notes
1	0V3843	INSTANT-BOILER COMPLET	
2	0V3844	BOILER BODY	
3	0V3845	BOILER COVER	
4	0V3846	GASKET	
5	0V3847	1660 W - 230V HEATING ELEMENT	
6	0V1364	105 DEGREE SAFETY THERMOSTAT	
7	0V0157	FEELER	
8	099918	GASKET FOR FEELER	
9	0V3849	3 ELECTROVALVES GROUPE	
10	0V3850	BRACKET	
11	093179	INSULATING WASHER MOTOREDUCTER	
12	097699	KNURL M4	
13	0V2129	THERMOSTAT 82 C	
14	099458	TUBE FOR 2 THERMOSTAT	
15	094597	COPPER WASHER	
16	093308	MICROSWITCH SERIE RLL/D	
17	098260	FLOAT	
18	099510	SEAL	
19	091842	OUTER FIXING COLLAR D.2.3	
20	092796	OUTFLOW REGUL FASTENER	
21	099847	GASKET	
22	099928	STOPPER GASKET	
23	0V3851	BOILER INSULATION	
24	0V3848	THERMOSTAT PROTECTION	
25	0V3852	INSTANT BOILER WIRING	
26	097512	SILICONE HOSE 6X12 BROWN	
27	0V4308	STOPPER WITH O-RING	
28	097383	ELECTROVALVE WATER-INLET 220V-2.5L/MIN-	
29	094185	CODENSE RECOVERY UNION	
30	250352	UNION	
31	094571	UNION 90 DEGREES	
32	097515	SILICONE HOSE 10X16 BROWN	
33	093959	UNION Y-SHAPE DIAM 12 OUTER	
34	097685	SILICONE HOSE BROWN 7.5X12	
35	094231	UNION T-SHAPE	
36	097510	SILICONE HOSE 5X9 BROWN	
37	098484	HOSE FIXING	
38	0V3888	INSTANT PROD. ELECTROVALVE	
39	0V2074	THERMOSTAT ACTUATOR	
40	251632	ELECTROVALVE KIT	
41	252016	MEMBRANE-GASKET (ODE)	
42	0V3552	VALVE BUSH	
43	0V4309	LOCKING TUBE L=138	
44	0V4310	LOCKING TUBE L=107	
45	0V4311	LOCKING TUBE L=76	
46	0V3554	GASKET O-RING	

	Code	Description	Notes
47	099057	ELECTROV.-COIL 220/230 VOLT	
48	0V3556	LOWER BODY STOP	
49	099064	ADJUSTING-SCREW-GASKET	
50	092703	TUBE CLAMP	
51	253827	BOILER BODY KIKKO. BRIO250 -AISI 316-	



	Code	Description	Notes
1	090957	EYELET TERMINAL	
2	090959	FASTON W/O TONGUE	
3	091192	FASTON COVER	
4	090247	FEMALE FASTON COVER	
5	095955	TERMINAL MALE	
6	096136	TERMINAL FEMALE	
7	094405	TERMINAL FEMALE 2.5	
8	094954	FEMALE HOLDER CONNECTOR 3-WAYS	
9	098062	4-WAY CONNECTOR MATE-N-LOK AMP	
10	094955	FEMALE HOLDER CONNECTOR 2-WAYS	
11	0V0809	4-PIN CONNECTOR/P MOLEX 3191	
12	0V0808	3-PIN CONNECTOR/P MOLEX 3191	
13	0V0810	6-PIN CONNECTOR/P MOLEX 3191	
14	0V0811	9-PIN CONNECTOR/P MOLEX 3191	
15	0V0812	12-PIN CONNECTOR/P MOLEX 3191	
16	0V0818	12-PIN CONNECTOR/P MOLEX 3191	
17	0V0815	4-PIN CONNECTOR/P MOLEX 3191	
18	0V0817	9-PIN CONNECTOR/P MOLEX 3191	
19	0V0819	15-PIN CONNECTOR/P MOLEX 3191	
20	0V0813	15-PIN CONNECTOR/P MOLEX 3191	
21	0V0814	3-PIN CONNECTOR/P MOLEX 3191	
22	0V0816	6-PIN CONNECTOR/P MOLEX 3191	
23	094961	FEMALE HOLDER CONNECTOR P.I. 12-W	
24	0V0820	MOLEX CONTACT PULLER	